

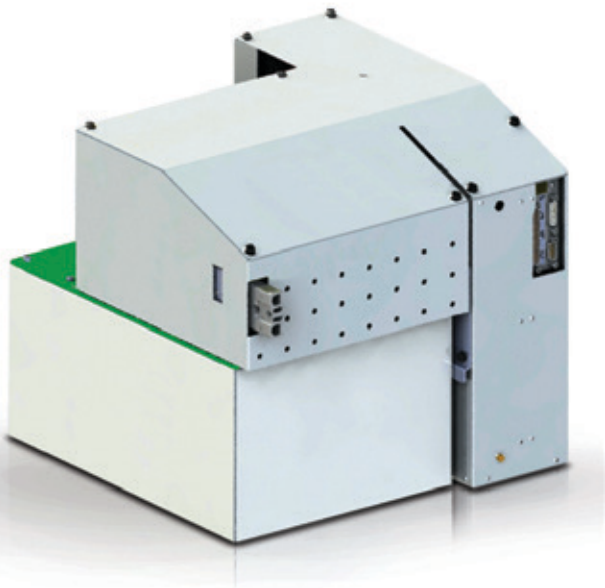
MOBILE SERIES

Mobile DR High Frequency X-Ray Generator

Compact
Lightweight
Configurable
Battery Powered

The performance and reliability offered by our products stems from years of technological advancements and have become a cornerstone of many leading technologies in different market segments.

The Mobile DR Generator continues CPI's tradition of innovation with a compact and highly capable solution for the mobile digital radiography markets while offering the level of industry recognized customization to ease system integration.



BENEFITS:

- High power for Mobile DR applications: 32 kW peak, 20 kW nominal
- Integrated capacitor energy assist module
- Designed to work with low-cost battery solution
- Light weight and compact dimensions
- Self diagnostic capabilities with operator messages



**Power Electronics:
Generator Products**

+1 888 CPI XRAY

+1 905 877 0161

medicalmarketing@cpii.com

www.cpii.com/medical/radgenerators

For more detailed information, please refer to the corresponding CPI technical description (if published), or contact CPI before using this information for system design. Specifications may change without notice as a result of additional data or product refinement.

©2023 Communications & Power Industries LLC. Company proprietary: use and reproduction is strictly prohibited without written authorization from CPI.

Sep. 2023

Compact

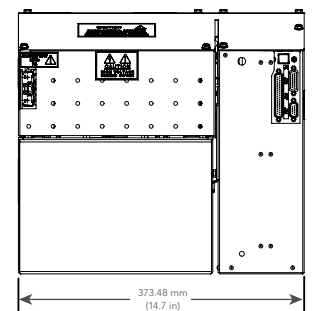
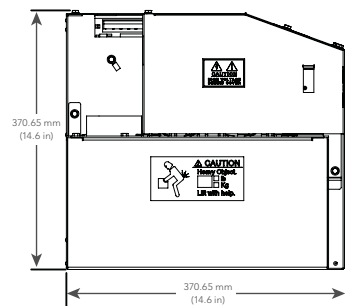
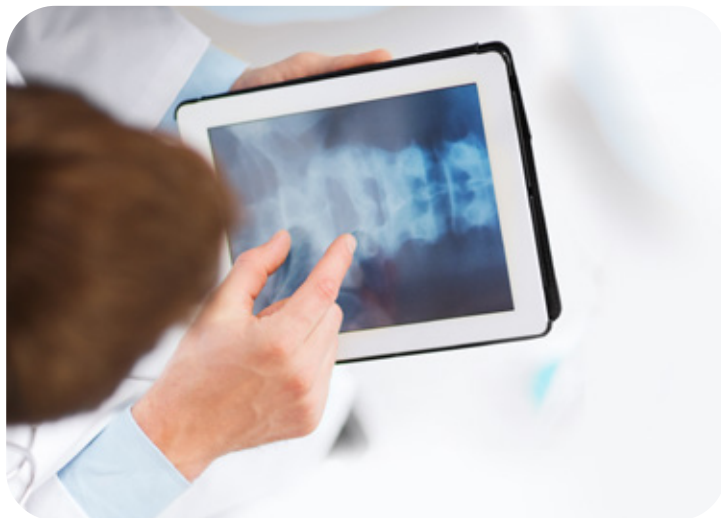
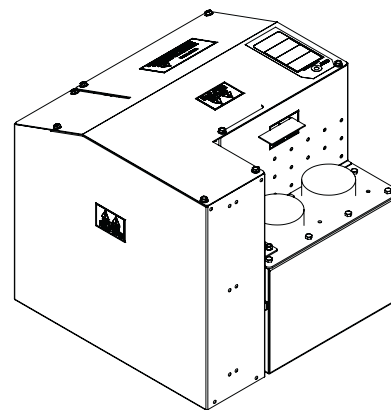
Lightweight

Configurable

Battery Powered

FEATURES

- High output power: 32 kW (peak) / 20 kW (IEC)
- 40-150 kV, max 400 mA, max 320 mAs, max 2800 ms.
- kV-mAs technique
- Designed for mobile environmental conditions with vibration and frequent shocks.
- CPI ASCII Protocol with CPI Standard DR Interface
- Compatible with most popular tubes for mobile DR applications
- Compact size and optimized weight with integrated capacitor energy assist module



ISO 13485
REGISTERED

ISO 9001:2015
REGISTERED

Registered Trademarks, excluding CSA, are U.S. Registered Trademarks of Communications & Power Industries Canada Inc.



Power Electronics: Generator Products

+1 888 CPI XRAY

+1 905 877 0161

medicalmarketing@cpii.com

www.cpii.com/medical/radgenerators

For more detailed information, please refer to the corresponding CPI technical description (if published), or contact CPI before using this information for system design. Specifications may change without notice as a result of additional data or product refinement.

©2023 Communications & Power Industries LLC. Company proprietary: use and reproduction is strictly prohibited without written authorization from CPI.

Sep. 2023